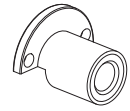


SYNOPTIC TABLE

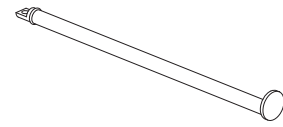
MINISOCKET DOT

Socket



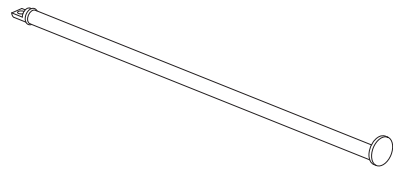
Art. No. DOTINSER **x10**

Straight arm 150 mm



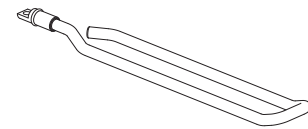
Art. No. DOTBRO15 **x4**

Straight arm 250 mm



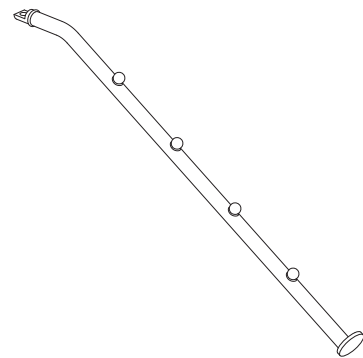
Art. No. DOTBRO25 **x4**

Blister hook



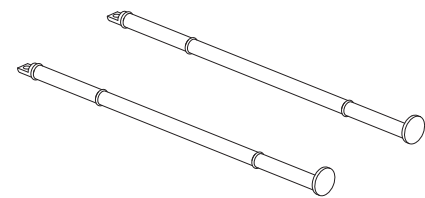
Art. No. DOTBLI15 **x4**

Inclined arm



Art. No. DOTPER25 **x4**

Pair of brackets for 6-mm glass shelf



Art. No. DOTTAB20 **x1**

Layout and realisation CDC Conseils - Ref. FPDOT11E





DOT

Design

The DOT socket is a simple and economic solution for the point-fixed display of light products. The unobtrusive, minimalistic looking accessories focus attention on the displayed goods and meet the basic requirements of present-day merchandising.

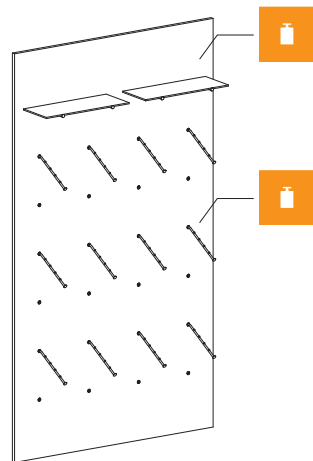
Material/Finish

The DOT socket is made of cast aluminium and available in matt or bright chromium plated finish corresponding to the finish of the accessories. This finish is perfectly adapted to the needs of the interior designers.

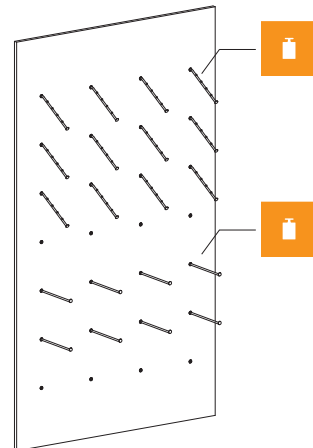
| | Material | Finish |
|---|-----------|--|
|  | Aluminium | CH: Chromium plated CHS: Matt chromium plated |
|  | Steel | CH: Chromium plated CHS: Matt chromium plated |

MERCHANDISING

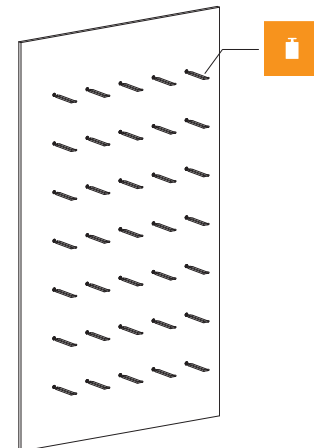
 Light



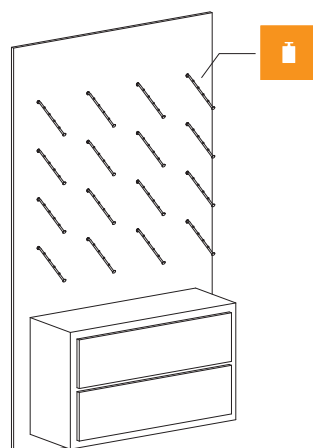
- 200-mm glass shelf bracket
- Inclined facing



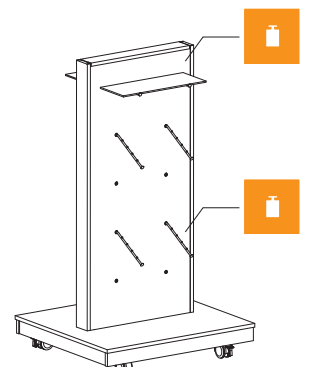
- Inclined facing
- Straight facing 150 mm



- Blister hook 150 mm



- Inclined facing



- 200-mm glass shelf bracket
- Inclined facing

LOOK

